



# Insulated Structures

*Efficiency At Work*

## CURVATURE - DELI



Standard Specifications	
• Flat Bottom Pan	• Valves (Brass Thermostatic)
• Cladding as per Price Structure	• 2 x Probes (Air Off and Defrost)
• Rear Sliders	• Shaded Pole Fans
• Powder Coated Cladding	• Standard Coil

Optional Specifications
• 20mm Glass Patch Ends
• Solid Colour Coded Patch Ends
• 1x200mm Glass Shelf with LED Lights
• ECM Fans
• Electronic Valves
• Cladding Options: Refer to Cladding Details Document (Available on Request)
• Self-Contained Units, available up to 8ft, with no dimensional changes.

### Available in Remote and Self-Contained

*Leaders in world class innovation for bespoke end to end energy efficient refrigeration solutions*

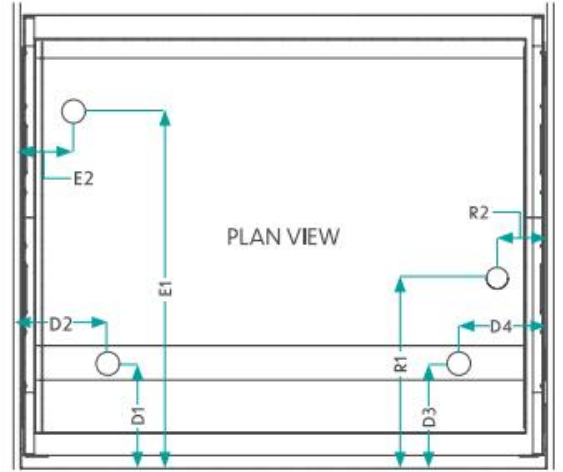
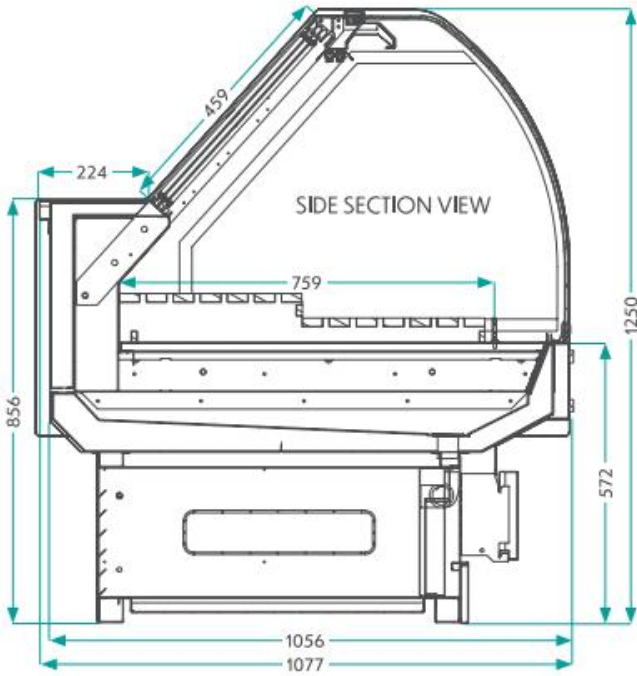




# Insulated Structures

Efficiency At Work

## CURVATURE - DELI



Physical Properties		
Size	Length (m)	TDA (m <sup>2</sup> )
4ft	1.220	0.76
6ft	1.830	1.15
8ft	2.440	1.52
12ft	3.660	2.29

Drain and Refrigeration Points							
D1	D2	D3	D4	E1	E2	R1	R2
230mm	609mm	-	-	800mm	110mm	400mm	110mm
230mm	914mm	-	-	800mm	110mm	400mm	110mm
230mm	609mm	230mm	609mm	800mm	110mm	400mm	110mm
230mm	600mm	230mm	609mm	800mm	110mm	400mm	110mm

Refrigeration Requirements	
Refrigeration	Evaporation Temp
110W/ft	-6 °C

Electrical Specifications				
Evaporator Fans Fan Motor + Motor	Heaters Defrost	Lighting Case (LED)	Lighting Shelf (LED)	Lighting Case (Meat LED)
1xØ154-28°/36W (SPM) or 24W (ECM)	1x800W	1x16W	1x16W	2x21W
2xØ154-28°/36W (SPM) or 24W (ECM)	1x1300W	1x25W	1x25W	2x31W
2xØ154-28°/36W (SPM) or 24W (ECM)	1x1600W	2x16W	2x16W	4x21W
3xØ154-28°/36W (SPM) or 24W (ECM)	2x1200W	3x16W	3x16W	6x21W

Leaders in world class innovation for bespoke end to end energy efficient refrigeration solutions